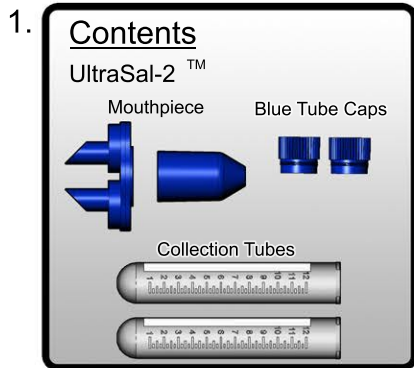


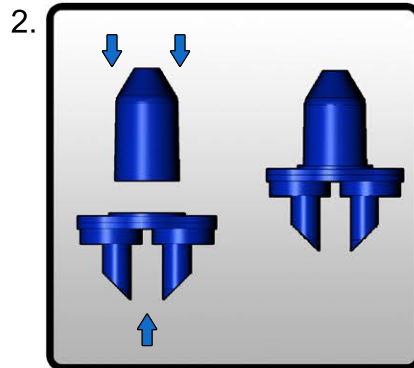
# ULTRASAL-2™ SPLIT SAMPLE SALIVA COLLECTION DEVICE, CATALOG # USAL-501

## INSTRUCTIONS FOR SALIVA COLLECTION USING THE ULTRASAL-2™ SPLIT SAMPLE SALIVA COLLECTION DEVICE

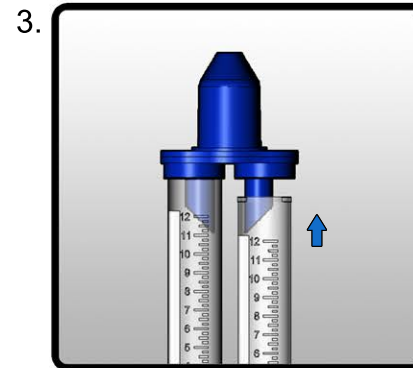
1. Do not eat, drink, smoke, or use oral hygiene products for at least 10 minutes before you start the collection process.
2. During this time review the detailed instructions on the UltraSal-2™ Split Sample Saliva Collection Device insert below.
3. Open the package containing the UltraSal-2™ Split Sample Saliva Collection Device, place contents on a clean and dry surface, then follow the illustrated instructions below.



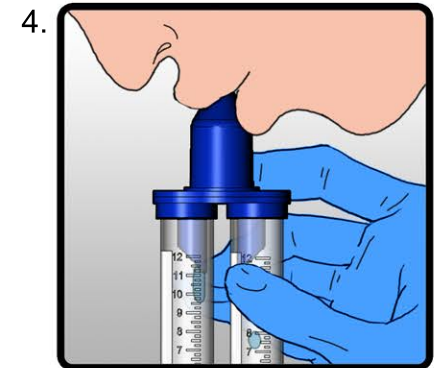
In preparation for oral fluid (saliva) collection place contents on a clean and dry surface.



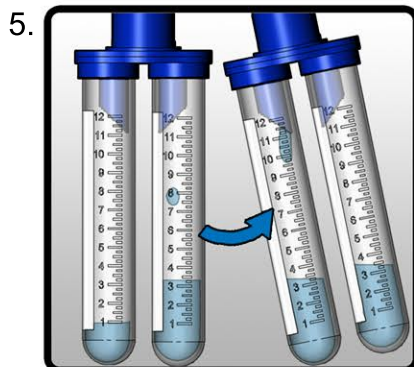
Wearing disposable gloves, snap the mouthpiece securely inside the large ring on top of the base. Label collection tubes as required with sample ID information.



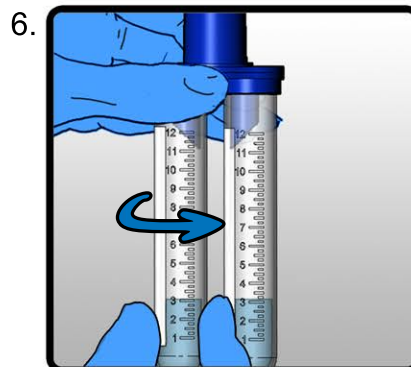
Attach the two Collection Tubes to the bottom of the UltraSal-2™ base by sliding one tube over each outlet and pushing them firmly into the bottom of the base until they snap securely in place.



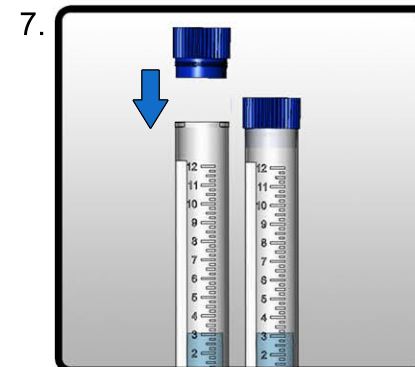
Hold the assembled UltraSal-2™ in a manner that keeps the Collection Tubes close to vertical. Pool oral fluid in the mouth, then place the hole in the top of the mouthpiece to the lips and expel the oral fluid through the hole. **NOTE: Do not blow into the device.**



Rotate or tip the device to direct the flow of oral fluid into one or both tubes, as desired.  
**NOTE: Collection must be stopped if the level of fluid or bubbles touches the lower tip of the outlets.**



Gently remove the Collection Tubes by holding the UltraSal-2™ base in one hand, grasping a tube in the second hand, and twisting the tube gently from side to side until the tube separates from the base.



Firmly insert a blue tube cap into each Collection Tube for storage or transportation. Discard the UltraSal-2™ mouthpiece and base in an appropriate manner.